

PLUMBING SOLUTIONS

What's keeping this...



Sewer and/or stormwater drain

Backflow Preventer

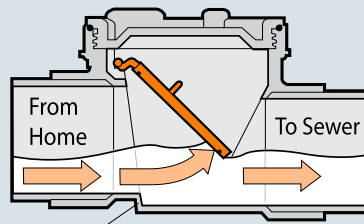
out of this?



to home drain connections

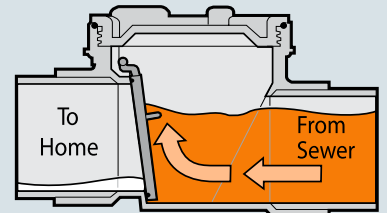
Backflow Preventer

These simple devices offer effective protection against the backflow of sewage and stormwater into homes and businesses.



Built-in drainage slope

Under Normal Operation, the lightweight flapper opens and allows waste water to exit to sewer line.

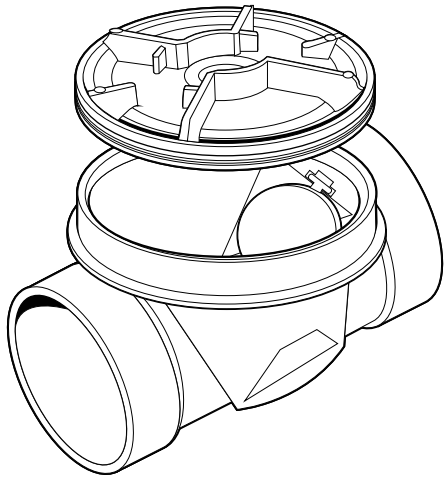


During a backflow, the flapper seals closed, stopping the flow from reaching interior drains entering the living space.



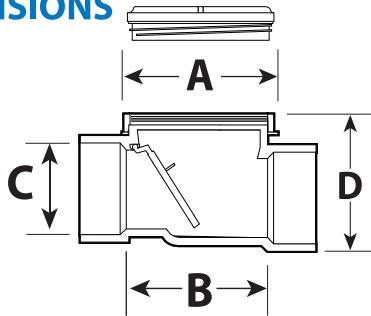
www.maskamwater.com

Backflow Preventer



| # | Description |
|------|-----------------------------------|
| BFP3 | PVC Backflow Preventer 3" (75mm) |
| BFP4 | PVC Backflow Preventer 4" (110mm) |
| BFP6 | PVC Backflow Preventer 6" (160mm) |

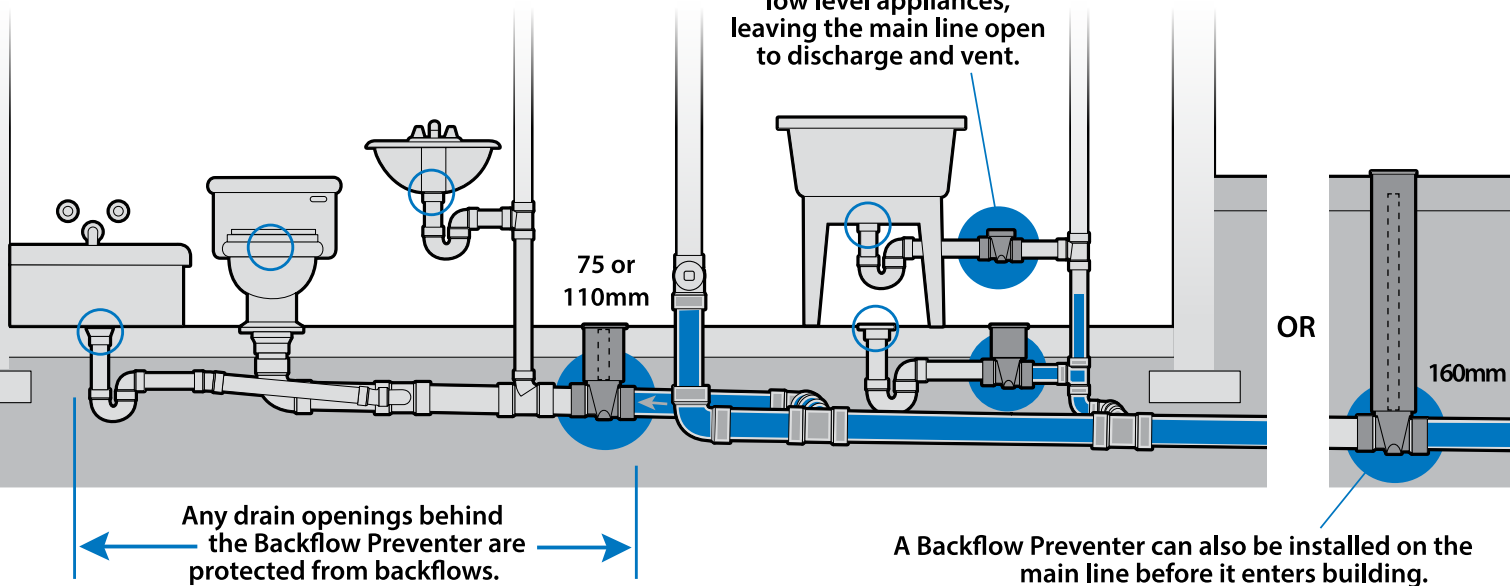
DIMENSIONS



| A | B | C | D |
|--------------------------|-------|-------|-------|
| 75mm Size Models | | | |
| 135mm | 110mm | 75mm | 135mm |
| 110mm Size Models | | | |
| 180mm | 160mm | 110mm | 185mm |
| 160mm Size Models | | | |
| 255mm | 205mm | 160mm | 230mm |

Note: If the valve is to be buried in the ground or installed under a concrete floor, an access sleeve with lid is to be installed over the opening in the top of the valve permitting access to the valve for periodic inspection. If the sleeve is solvent cemented to the valve, care must be taken to ensure that the operation of the access plug is not affected.

Backflow Preventers are recommended on all branch lines serving low level appliances, leaving the main line open to discharge and vent.



T: 08612 WATER (92837)
 T: +27 (0) 27 219 1396
 T: +27 (0) 21 981 6546
 @: info@maskam.co.za



www.maskamwater.com